

PHYSIO-TRACE^{inc.}



2019

PRODUCT CATALOG

Distributed by DLCANA Inc.
www.dlcana.com

CONTENTS

MEDICAL SLINGS

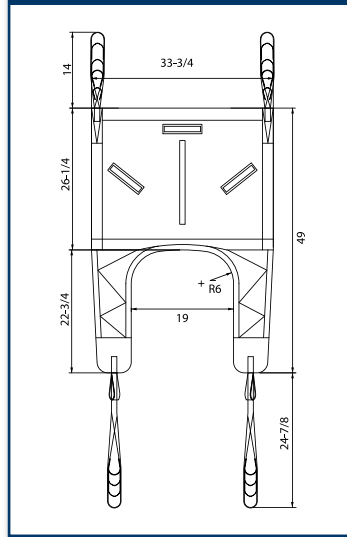
MAIN FEATURES	4
MECHANICAL TESTING	5
CLEANING INSTRUCTIONS	6
STAND-UP LIFT SLING MODEL 132	7
FALL STRETCHER QM-500	8-9
FULL HAMMOCK SLING MODEL 156PSM	10-11
HYGENIC SLING MODEL 130	12-13
RAPID-FIT SLING MODEL 170	14-15
DOUBLE THIGH SLING MODEL 190	16-17
BARIATRIC SLING MODEL BAR	18-19
PEDIATRIC SLING MODEL 198	20
TRANSFER AND GAIT BELT AND TRANSFER SLING	21
EFFORTLESS TURN SLING	22-25

MAIN FEATURES

Custom I.D.



Custom fabrication



Reinforced handles



Loop insertion pockets



SLING SELECTION GUIDE (Physio Trace slings starting weight capacity 600 lbs)

Size	Capacity	Color Code For Sizing
198-FP / Small child	55 lbs and less	
198-FM / Medium child	55 to 105 lbs	
Small = S	80 to 125 lbs	White Handle
Medium = M	125 to 200 lbs	Red handle
Large = L	200 to 300 lbs	Black handle
X-Large = XL	300 to 400 lbs	Blue

MECHANICAL TESTING

- Mechanical testing made in compliance with CSA/ISO 10535-2006.
- Testing machine specifically designed for patient lift slings.
- Help validate secure operation range.



CENTRE COLLEGIÉAL DE TRANSFERT
DE TECHNOLOGIE EN ORTHÈSES PROTHÈSES
ET ÉQUIPEMENTS MÉDICAUX

COLLEGIAL CENTER FOR TECHNOLOGY
TRANSFER SPECIALISING IN ORTHOTICS,
PROSTHETICS AND MEDICAL EQUIPMENT

ATTESTATION OF COMPATIBILITY

ATTRIBUTED TO PHYSIO-TRACE

TOPMED CERTIFIES THAT THE COMPANY HAS BEEN EVALUATED AND DEMONSTRATES THE CONFORMITY OF THESE PRODUCTS WITH THE REQUIRED STANDARDS

	DOUBLE THIGH SLING MODEL 180	RAPID-FIT SLING MODEL 170	FULL HAMMOCK SLING MODEL 166-PSM	HYGIENIC SLING MODEL 150
ARIDHUNTLEIGH 2 POINTS HB	✓	✓	✓	✓
PRISM MEDICAL 4 POINTS HB	✓	✓	✓	✓
GULDMANN 4 POINTS HB	✓	✓	✓	✓
HANDICARE 2 POINTS HB	✓	✓	✓	✓

PHYSIO-TRACE slings are designed, built and mechanically tested in compliance with CSA/ISO 10535-2006.

OUR TESTS DEMONSTRATED THAT THE FOUR PHYSIO-TRACE SLINGS EXAMINED SHOWED NO COMPATIBILITY ISSUES WITH ALL OF THE FOUR HOISTING BARS USED. WHEN ABIDING BY THE "MOVING PATIENTS SAFETY PRINCIPLES (MPPS)", HEALTH PROFESSIONALS AND COMPETENT CAREGIVERS USING PHYSIO-TRACE REPLACEMENT SLINGS WITH AN UNMATCHING HOISTING BAR WILL NOT FACE ANY INTERCHANGEABILITY PROBLEMS, THEREFORE NOT COMPROMISING THEIR SAFETY OR THAT OF THEIR PATIENTS. IN LIGHT OF OUR EXAMINATION, HEALTHCARE INSTITUTIONS MANAGERS CAN NOW CONSIDER PHYSIO-TRACE SLINGS AS VALID REPLACEMENT EQUIPMENT WITHOUT GENERATING LIABILITY ISSUES.











RAPHAEL BEAUPRÉ-LAFLAMME, INC. JR.
MECHANICAL ENGINEER

MARC-ANDRÉ HÉBERT, PHT, M.S.C.
TEACHER AND PHYSIOTHERAPIST











FINAL CONFIRMATION DATE: NOVEMBER, 2017

CLEANING INSTRUCTIONS

MESH AND POLYESTER

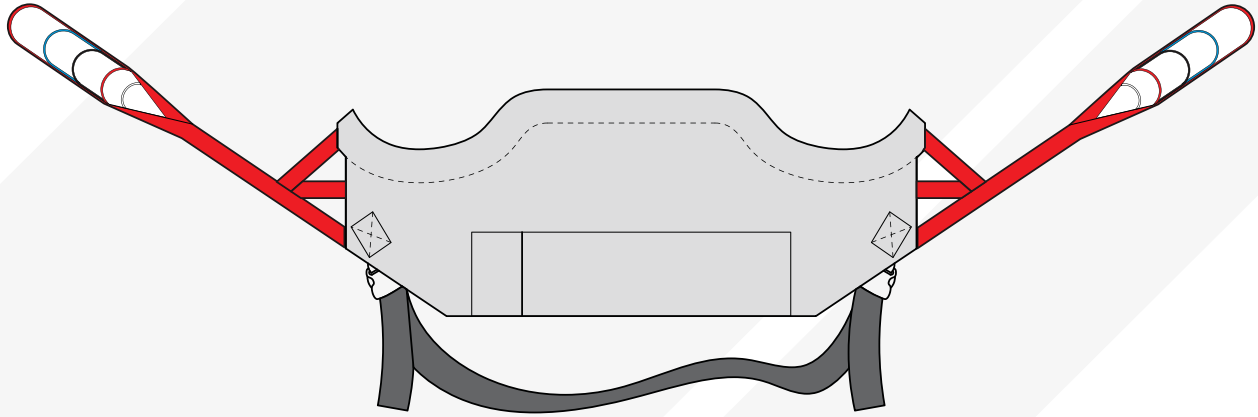
PHYSIO-TRACE^{INC.} QUÉBEC MÉDICAL		<i>Made in Canada</i> <i>Fabriquée au Canada</i>	
Phone: 450 589-2133 • Phone (Toll free): 1 800 267-0883 Fax: 450 589-6237 • Fax (Toll free): 1 877 706-2441		<i>In compliance with CSA/ISO 10535-2006</i> Conforme à la norme CSA/ISO 10535-2006	
 Machine wash in hot water. Do not exceed 60°C or 140°F. Normal setting.		 Laver à la machine Eau chaude n'excedant pas 60°C ou 140°F. Agitation normale.	
 Use bleach or peroxide with care.		 Utiliser eau de javel ou peroxyde avec précaution.	
 Machine dry at low temperature.		 Sécher à la machine.	
 Do not iron or press.		 Ne pas repasser ou presser.	
100 % polyester Inspect carefully before use.		100 % polyester Inspecter avec soin avant usage.	
Month / Mois 1 2 3 4 5 6 7 8 9 10 11 12		Year / Année 18 19 20 21 22 23 24	
Model / Modèle 130 - 132 - 156 - 156 PSM - 170 - 190 - 197 - 198 - BAR		Size / Grandeur P - M - G - XG	
Do not use sling if damaged or heavily worn out. Ne pas utiliser la toile si endommagée ou fortement usée.		Capacity / Capacité 225 kg / 600 lbs 450 kg / 1000 lbs Bariatric	

PRESSURE REDUCTION SLINGS

PHYSIO-TRACE^{INC.} QUÉBEC MÉDICAL		<i>Made in Canada</i> <i>Fabriquée au Canada</i>	
Phone: 450 589-2133 • Phone (Toll free): 1 800 267-0883 Fax: 450 589-6237 • Fax (Toll free): 1 877 706-2441		PRESSURE REDUCTION SLINGS TOILES À RÉDUCTION DE PRESSION	
Phone: 450 589-2133 • Phone (Toll free): 1 800 267-0883 Fax: 450 589-6237 • Fax (Toll free): 1 877 706-2441		<i>In compliance with CSA/ISO 10535-2006</i> Conforme à la norme CSA/ISO 10535-2006	
 Machine wash in hot water. Do not exceed 60°C or 140°F. Normal setting.		 Laver à la machine Eau chaude n'excedant pas 60°C ou 140°F. Agitation normale.	
 Do not bleach.		 Ne pas utiliser de Javellisant.	
 Dry naturally or cool tumble dry.		 Sécher à plat ou par culbutage à basse température.	
 Do not iron or press.		 Ne pas repasser ou presser.	
100 % polyester Inspect carefully before use.		100 % polyester Inspecter avec soin avant usage.	
Month / Mois 1 2 3 4 5 6 7 8 9 10 11 12		Year / Année 18 19 20 21 22 23 24	
Model / Modèle 130RP - 132RP - 156RP - 156PSMRP - 170RP - 190RP - 197RP - 198RP		Size / Grandeur P - M - G - XG	
Do not use sling if damaged or heavily worn out. Ne pas utiliser la toile si endommagée ou fortement usée.		Capacity / Capacité 220 kg / 485 lbs	

STAND-UP LIFT SLING MODEL 132

MORE FLEXIBLE AND NON-SKID INTERIOR



*In compliance with
CSA/ISO 10535-2006*

FEATURES

- Specially designed for stand-up lifts.
- Excellent back support.
- Large opening under the armpits.
- Entirely padded.
- Different color straps will make the coordination and installation easier on the lifter.

Code	Material	Size	Waist size	Capacity
132-P	Mesh	Small	24" to 34"	600 lbs
132-M	Mesh	Medium	34" to 44"	600 lbs
132-G	Mesh	Large	44" to 54"	600 lbs
132-XG	Mesh	X-Large	54" to 64"	600 lbs

FALL STRETCHER MODEL 500



FALL STRETCHER



Physio-Trace has the solution for moving and repositioning a patient after a fall to the floor. Every situation is different and we developed a product that has the answer to all scenarios.

FEATURES

- Can be used with floor and ceiling lift;
- Frame made of high quality steel;
- Sling made of high resistant polyester, machine washable;
- Manipulation by two employees only;
- Can be used in cramped places;
- In compliance with the ISO 10535 standard.

Code
QM-500

Color
Red

Capacity
500 lbs

FALL STRETCHER MODEL 500

THE STEEL FRAME MAKES IT EASY FOR THE STAFF TO MANEUVER



Stretcher reinforced at the head and the foot. A pillow can be added at the head area for an additional comfort.



Assembly and disassembly of the frame is fast and easy because of the simple fastening of the pins.

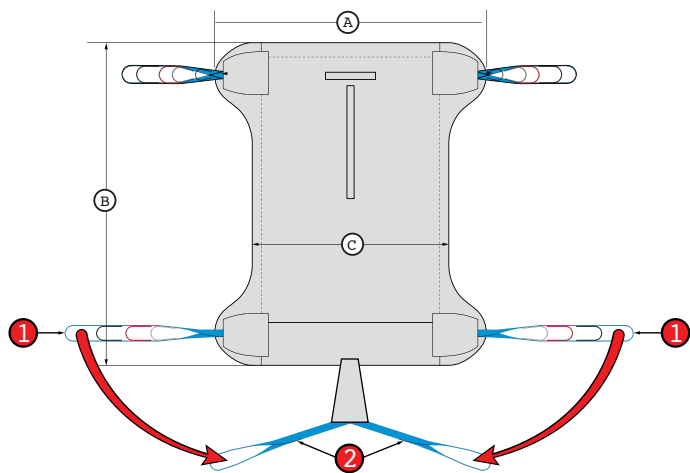


The snaps are quick and easy to fasten.



Horizontal lifting making it easy to maneuver.

“FULL” HAMMOCK SLING MODEL 156 PSM



SLING ATTACHMENT
WARNING: Insert side straps (#1) in the middle straps (#2)
NEVER THE OPPOSITE.

*In compliance with
 CSA/ISO 10535-2006*

FEATURES

- Recommended for people who need positioning on a wheelchair or when it’s difficult to install a regular sling.
- Also recommended for lower limb amputees.
- This model stays underneath the person for quicker transfers.
- Different color straps will make easier the coordination and installation on the lifter.

Code	Material	Size	Dimensions			Capacity
156PSM-FP	Mesh	Small	A= 35"	B= 45"	C= 25"	600 lbs
156PSM-FM	Mesh	Medium	A= 39"	B= 45"	C= 29"	600 lbs
156PSM-FG	Mesh	Large	A= 43"	B= 45"	C= 33"	600 lbs
156PSM-FXG	Mesh	X-Large	A= 47"	B= 45"	C= 37"	600 lbs

“FULL” HAMMOCK SLING MODEL 156 PSM



1 Colored loops

The colored loops ensure symmetry on the lift.

2 Pockets

For loops insertion.

3 Center handles

Prevents forward sliding.

4 Material

Low friction, dirt repellent polyester.

5 Padding on legs

Inset foam pads on legs for increased comfort.

6 Instruction label

Indicates all information on use, maintenance and technical specifications.

7 Ergonomic handles

Simplify patient transfers.

8 Ergonomic handles

Simplify patient transfers.

Fit

Excellent fit and many sizes to choose from for comfort and safety.

Strength

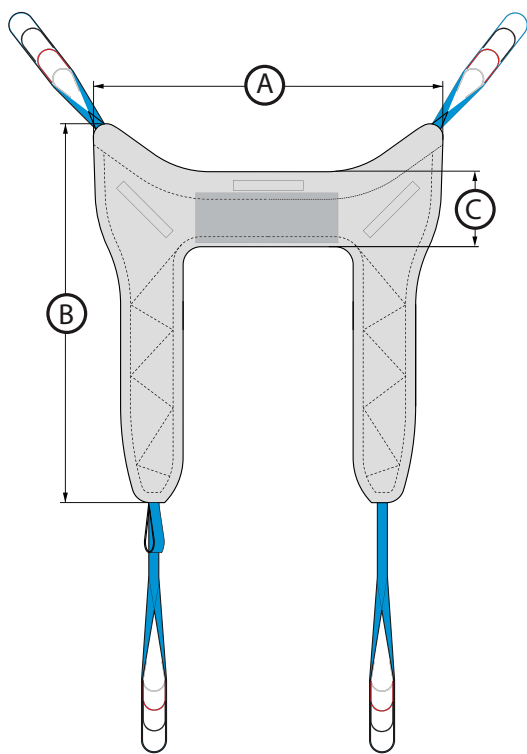
Maximum lifting capacity 600 lbs.

One year (1) warranty.

Washing

Machine washable with bleaching and/or peroxide solutions up to 140°F. Machine dry.

HYGIENIC SLING MODEL 130



FEATURES

- Large clearance in the pelvic area.
- Works well for patients wearing trousers, skirts or tights.
- Requires a minimum of muscular strenght.
- Fully padded sling offers an additional roll for more comfort under the armpits.
- The safety belt distributes pressure and provides support.

Code	Material	Size	Waist size	Dimensions			Capacity
130-P	Polyester	Small	24" to 34"	A= 35"	B= 35"	C= 7"	600 lbs
130-M	Polyester	Medium	34" to 44"	A= 36"	B= 38"	C= 7"	600 lbs
130-G	Polyester	Large	44" to 50"	A= 42.5"	B= 41"	C= 8"	600 lbs
130-XG	Polyester	X-Large	50" to 58"	A= 42.5"	B= 41"	C= 9"	600 lbs

AVAILABLE OPTIONS

Code	Description
QM-006	Headrest

HYGIENIC SLING MODEL 130

1 Colored loops

The colored loops ensure symmetry on the lift. The color of the band identifies type of sling.

2 Material

Low friction, dirt repellent polyester.

3 Padding on legs

Inset foam pads on legs for increased comfort.

4 Ergonomic handles

Simplify patient transfers.

5 Instruction label

Indicates all information on use, maintenance and technical specifications.



Fit

Excellent fit and many sizes to choose from for comfort and safety.

Strength

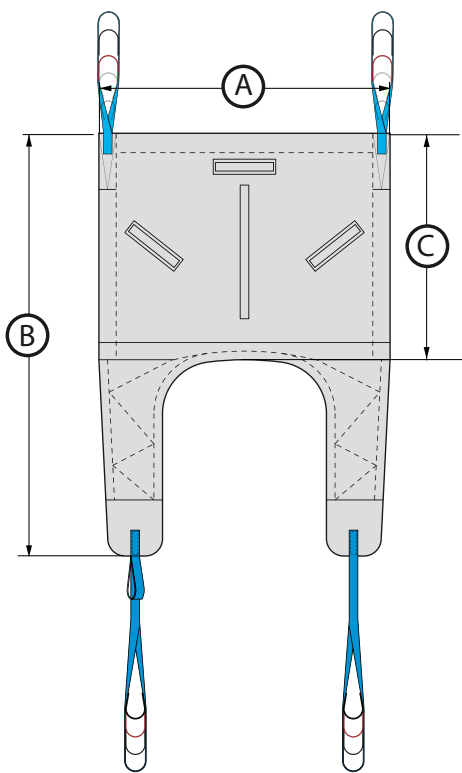
Maximum lifting capacity 600 lbs.

One year (1) warranty.

Washing

Machine washable with bleaching and/or peroxide solutions up to 140°F. Machine dry.

RAPID-FIT SLING MODEL 170



*In compliance with
CSA/ISO 10535-2006*

FEATURES

- Easier to install than the double thigh model.
- A good compromise between the double thigh and the hygienic sling.
- Can be used for hygienic care for people with less muscular strength.
- The legs are foam padded to give more comfort.

Code	Material	Size	Dimensions			Capacity
170-FP	Mesh	Small	A= 30"	B= 47"	C= 25"	600 lbs
170-FM	Mesh	Medium	A= 35"	B= 49"	C= 26"	600 lbs
170-FG	Mesh	Large	A= 39"	B= 52"	C= 26"	600 lbs
170-FXG	Mesh	X-Large	A= 44"	B= 52"	C= 26"	600 lbs

AVAILABLE OPTIONS

Code	Description
QM-005	Headrest
QM-0018	Two extra straps

RAPID-FIT SLING MODEL 170

1 Colored loops

The colored loops ensure symmetry on the lift. The color of the band identifies type of sling.

2 Pockets

For loops insertion.

3 Material

Inset foam pads on legs for increased comfort.

4 Padding on legs

Inset foam pads on legs for increased comfort.

5 Ergonomic handles

Simplify patient transfers.

6 Positioning band

Simplify appropriate positioning of the sling. The color of the band identifies type of sling.

7 Instruction label

Indicates all information on use, maintenance and technical specifications.

Fit

Excellent fit and many sizes to choose from for comfort and safety.

Strength

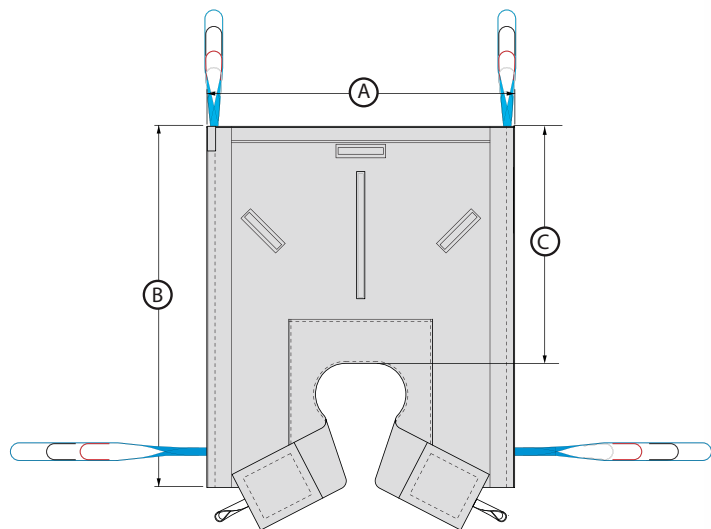
Maximum lifting capacity 600 lbs.

One year (1) warranty.

Washing

Machine washable with bleaching and/or peroxide solutions up to 140°F. Machine dry.

DOUBLE THIGH SLING MODEL 190



*In compliance with
CSA/ISO 10535-2006*

FEATURES

- Easy to install and remove.
- This model is the most secure and comfortable.
- The front cross-over helps to hold the person in the sling.
- Can also be used as a hammock sling.
- No rigid parts are used and give a good support without risk of injuries.

Code	Material	Size	Dimensions			Capacity
190-FP	Mesh	Small	A= 30"	B= 43"	C= 27"	600 lbs
190-FM	Mesh	Medium	A= 35"	B= 43"	C= 27"	600 lbs
190-FG	Mesh	Large	A= 39"	B= 45"	C= 29"	600 lbs
190-FXG	Mesh	X-Large	A= 44"	B= 45"	C= 29"	600 lbs

AVAILABLE OPTIONS

Code	Description
QM-005	Headrest
QM-0018	Two extra straps

DOUBLE THIGH SLING MODEL 190

1 Colored loops

The colored loops ensure symmetry on the lift.

2 Pockets

For loops insertion.

3 Material

Low friction, dirt repellent polyester.

4 Padding on legs

Inset foam pads on legs for increased comfort.

5 Ergonomic handles

Simplify patient transfers.

6 Positioning band

Simplify appropriate positioning of the sling. The color of the band identifies type of sling.

7 Instruction label

Indicates all information on use, maintenance and technical specifications.



Fit

Excellent fit and many sizes to choose from for comfort and safety.

Strength

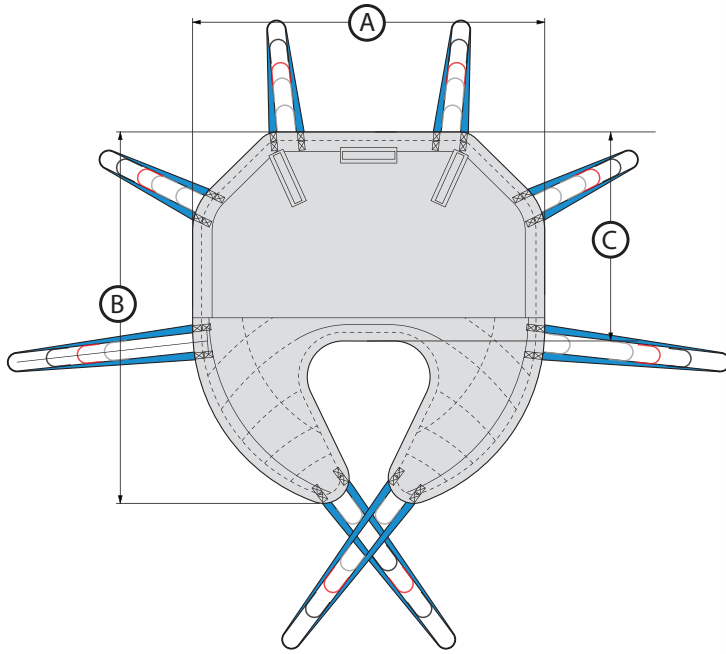
Maximum lifting capacity 600 lbs.

One year (1) warranty.

Washing

Machine washable with bleaching and/or peroxide solutions up to 140°F. Machine dry.

BARIATRIC SLING MODEL BAR



*In compliance with
CSA/ISO 10535-2006*

FEATURES

- Extra padding for less pressure on skin.
- Eight (8) straps to increase comfort and security.
- Reinforced stitching and materials.
- Nylon reinforced contour.
- Double-point strap attachment.
- The sling performs better if used with multy hooks slingbar.

Code	Material	Size	Dimensions			Capacity
BAR-P	Polyester Mesh	Small	A= 45"	B= 49"	C= 27"	1 000 lbs
BAR-M	Polyester Mesh	Medium	A= 47"	B= 47"	C= 29"	1 000 lbs
BAR-G	Polyester Mesh	Large	A= 51"	B= 51"	C= 31"	1 000 lbs
BAR-XG	Polyester Mesh	X-Large	A= 55"	B= 55"	C= 33"	1 000 lbs

BARIATRIC SLING MODEL BAR

1 Colored loops

The colored loops ensure symmetry on the lift.

2 Pockets

For loops insertion.

3 Material

Low friction, dirt repellent polyester.

4 Padding on legs

Inset foam pads on legs for increased comfort.

5 Reinforced ergonomic handles

Simplify patient transfers.

6 Positioning band

Simplify appropriate positioning of the sling. The color of the band identifies type of sling.

7 Instruction label

Indicates all information on use, maintenance and technical specifications.



Fit

Excellent fit and many sizes to choose from for comfort and safety.

Strength

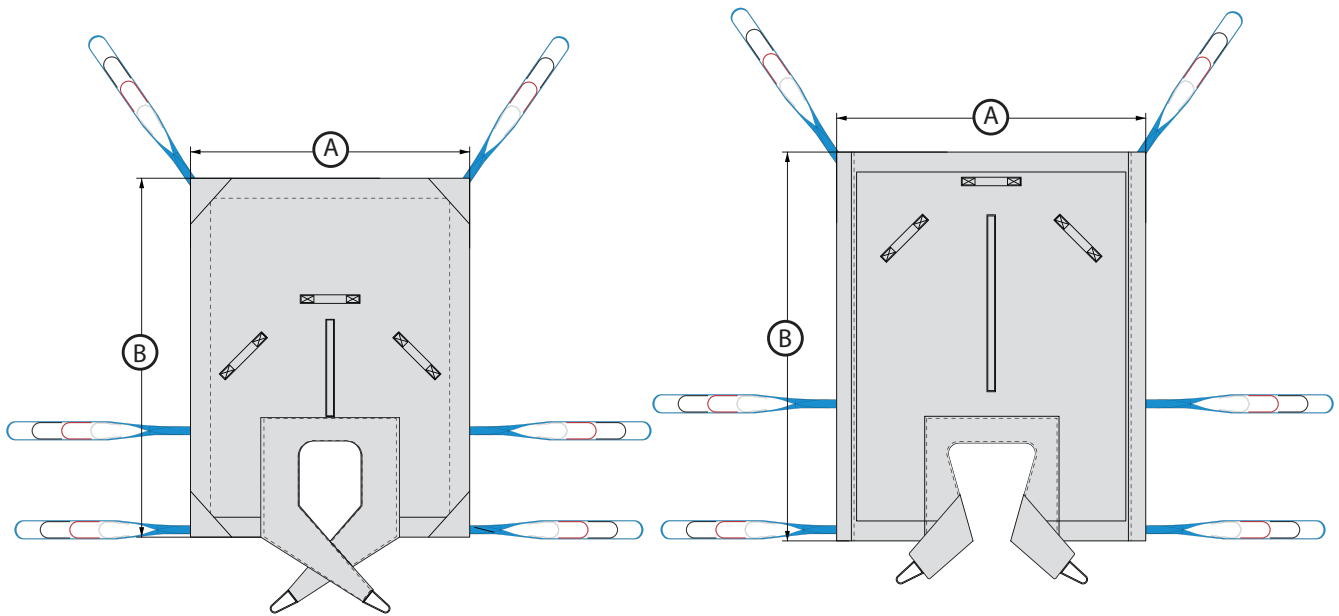
Maximum lifting capacity 600 lbs.

One year (1) warranty.

Washing

Machine washable with bleaching and/or peroxide solutions up to 140°F. Machine dry.

PEDIATRIC SLING MODEL 198



*In compliance with
CSA/ISO 10535-2006*

FEATURES

- Double thigh sling.
- Easy to install and remove.
- Can be use as a hammock sling.
- This model has six straps for additional security.
- Recommended for children or small adults..
- Different color straps will facilitate the coordination and installation on the lifter.

Code	Material	Size	Dimensions		Capacity
198-FP	Mesh	Small	A= 28"	B= 36"	600 lbs
198-FM	Mesh	Medium	A= 31"	B= 39"	600 lbs

AVAILABLE OPTIONS

Code	Description
QM-005	Headrest

TRANSFER AND WALKING BELT



TRANSFER AND WALKING BELT MADE OF POLYESTER MATERIAL WITH TWO HANDLES THAT PROVIDE A BETTER GRASP WHEN TRANSFERRING.

Product code	Size	Length
QM-911031	Extra small	30" - 76.2 cm
QM-911032	Small-Medium	36" - 91.4 cm
QM-911033	Medium-Large	42" - 106.7 cm
QM-911034	Large-Extra large	48" - 122.0 cm

TRANSFER SLING



PRODUCT CODE: QM-0110

- Made of vinyl material with 8 black handles

EFFORTLESS TURN SLING



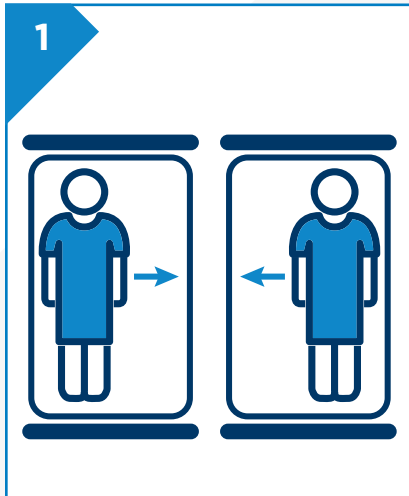
Patients suffering from dementia or other behavioral health problems make it sometimes difficult for caregivers to turn them and provide care.

Turning a patient manually may cause back or shoulder problem and may also risk an aggression.

This sling has been created to reduce the staining involved when turning a patient in order to perform the following procedures, it has a slippery finish for an easy and effortless installation.

- Changing a diaper
- Applying a bandage
- Working alone

NOTE: THE EFFORTLESS TURN SLING IS NOT FOR LIFTING, ONLY FOR TURNING A PATIENT.



To assure that you have enough space, slide the patient towards the opposite side that he or she will be turned.



Insert the plastic stick in the pocket located in the middle of the sling.



Fold the sling on one of the sides to cover the stick and straps with one hand while holding the other end of the stick with the other hand.



Pull on the patient's cloths (to avoid that the stick gets tangled in the cloths) and insert the sling under the lower back of the patient.



Keep pushing until the sling appears on the other side of the patient.



Pull on the stick to take it out from underneath the patient and the sling.



Take the straps out from underneath and pull on both sides of the sling to make sure that the material is not bunched up (A).

Assure that there is a 5 inches space between the patient and the tube (B).



Insert the cushioned roll through the opening on the side you would like to turn the patient.



The roll should be positioned along side the body with the arm on the outside. This will help stabilize the patient and the sling.



To facilitate the turning movement cross the opposite leg of the patient over the leg of the side that he or she will be turned, the head of the patient should also be facing this direction.



Position the carry bar parallel to the patient's body, then attach the 2 straps that are on the opposite side of the roll.



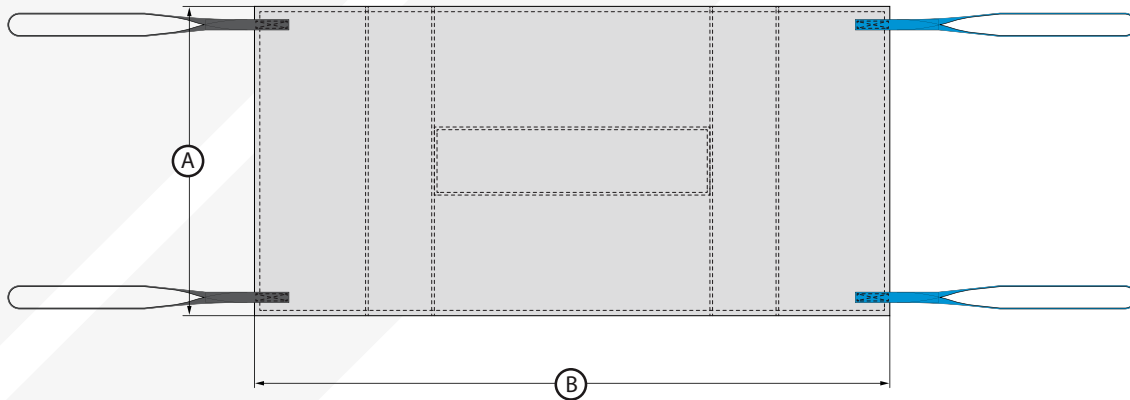
At the same time that the attached straps are being pulled up by the lift lightly press on the patient's crossed over leg to facilitate the movement. When the patient is on his or her side you can begin treatment or any hygiene functions.



After treatment lower the carry bar to take the pressure off the straps, the patient will slowly return to his or her original position.



To turn the patient on the other side place the roll in the opening of the opposite side and repeat the steps.



Code	Material	Dimensions		Capacity
QM-200	Nylon	A= 13.5"	B= 39"	550 lbs
QM-200BAR	Nylon	A= 13.5"	B= 49"	550 lbs

EFFORTLESS TURN SLING KIT INCLUDES:

- 1 sling made of nylon (coated with a slippery finish), 1 pocket, 2 openings and 4 straps
- 1 roll made of foam and a waterproof cover
- 1 plastic stick



PHYSIO-TRACE^{inc.}

DLCANA Inc.

Canadian Distributor: Western Canada, Ontario & Atlantic Canada

customerservice@dlcana.com

www.dlcana.com